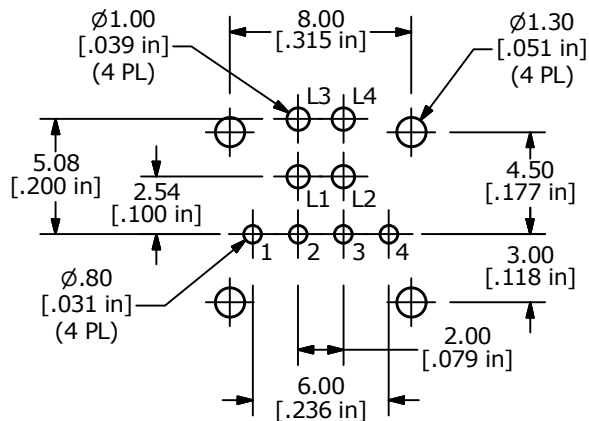
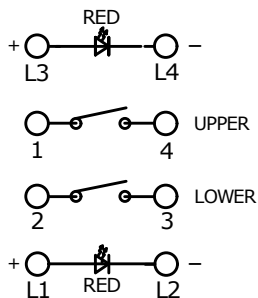


LED SPECS	UNITS	RED	RED
FORWARD CURRENT	mA	20	20
FORWARD VOLTAGE	V	1.95 TYP - 2.5 MAX	1.95 TYP - 2.5 MAX
LUMINOUS INTENSITY	mcd	4000 TYP	4000 TYP

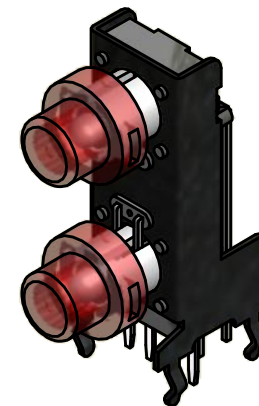
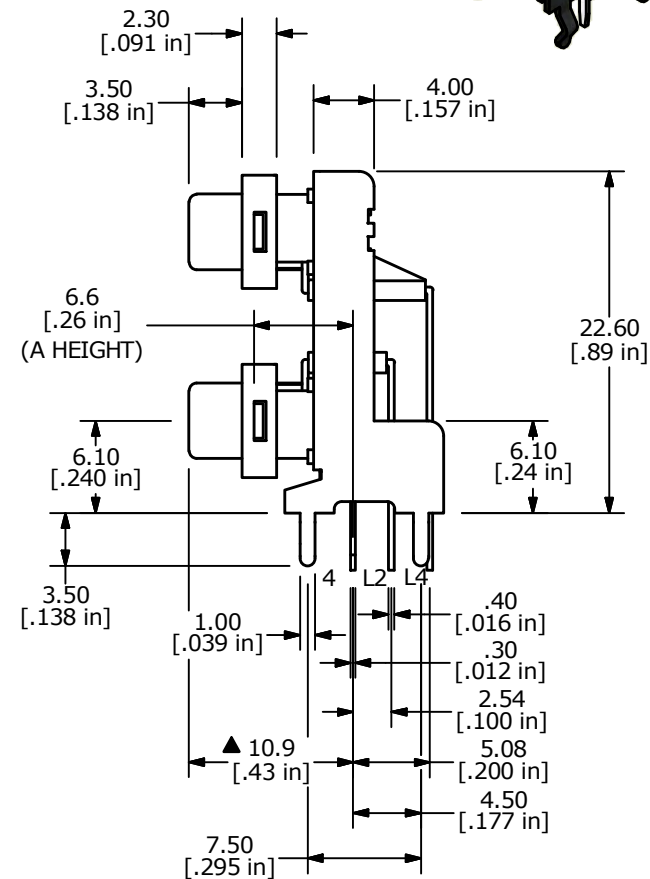
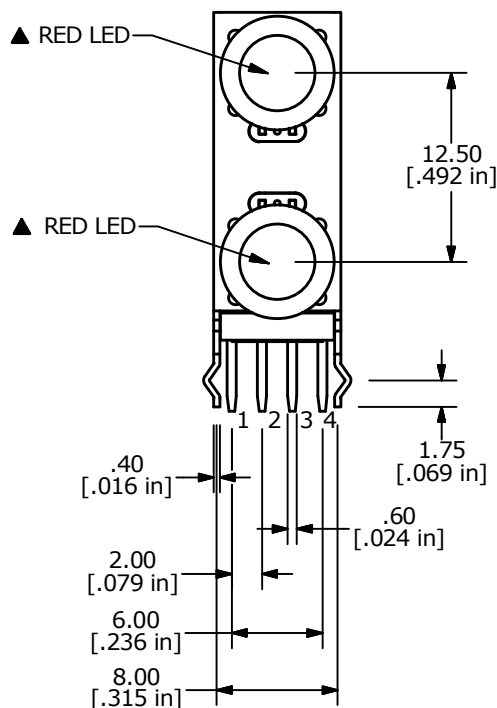
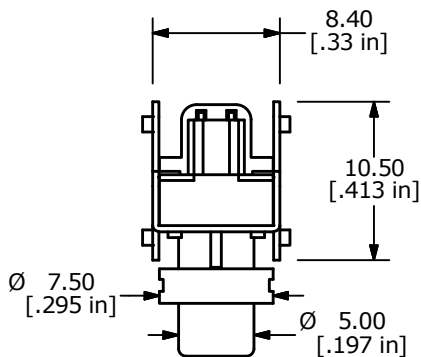


RECOMMENDED PCB LAYOUT



▲ CIRCUIT DIAGRAM

- NOTES:
1. ALL DIMENSIONS IN MM
 2. GENERAL TOLERANCE: X.X = ±0.4
X.XX = ±0.25
 3. TERM. NOS. FOR REFERENCE ONLY.
 4. CONTACT RATING: 50mA @12VDC
 5. TRAVEL: 0.25 ±0.1mm
 6. CONTACT RESISTANCE: 100 Milli-Ohms Max.
 7. OPERATING FORCE: 160 ± 50gf
 - ▲ 8. CONTACT MATERIAL: SILVER
 9. MECHANICAL LIFE: 500,000 CYCLES
 10. OPERATING TEMP: -40°C to 85°C
 11. ▲ DENOTES CRITICAL PARAMETER.
 - ▲ 12. PACKAGE: TRAY/ 84 PIECES PER
 13. 2011/65/EU (ROHS) COMPLIANT



A	22651	RELEASE FOR PRODUCTION	1/3/16	MW
REV	PCR NO	DESCRIPTION	DATE	BY

TITLE TL3253ARAARAF160Q				
SCALE	DATE	DR	DWG	REV
2:1	12/29/2016	MW	B060013	A

THE INFORMATION CONTAINED IN THIS DOCUMENT IS PROPRIETARY TO E-SWITCH AND IS NOT TO BE COPIED OR TRANSFERRED